



# 17.609 G

## OEM Pressure Transmitter

### Application

- ▶ refrigeration

### Characteristics

- ▶ stainless steel sensor, welded
- ▶ accuracy 0.5 % FSO according to IEC 60770
- ▶ nominal pressure ranges from 0 ... 6 bar up to 0 ... 60 bar  
-1 ... 6 bar up to -1 ... 60 bar



### Technical Data



Pressure ranges							
Nominal pressure gauge	[bar]	6	10	16	25	40	60
Overpressure	[bar]	14	35	35	70	140	140
Burst pressure $\geq$	[bar]	28	70	70	140	280	280
Vacuum resistance		unlimited					

Vacuum ranges							
Nominal pressure gauge	[bar]	-1 ... 6	-1 ... 10	-1 ... 16	-1 ... 25	-1 ... 40	-1 ... 60
Overpressure	[bar]	14	35	35	70	140	140
Burst pressure	[bar]	28	70	70	140	280	280

Output signal / Supply	
Standard	2-wire: 4 ... 20 mA / $V_S = 8 \dots 32 V_{DC}$
Options 3-wire	3-wire: 0 ... 10 V / $V_S = 14 \dots 30 V_{DC}$ 3-wire ratiometric: 10 ... 90% of $V_S$ / $V_S = 2.7 \dots 5 V_{DC}$

Performance	
Accuracy <sup>1</sup>	$\leq \pm 0.5 \%$ FSO
Permissible load	2-wire: $R_{max} = [(V_S - V_S \text{ min}) / 0.02 \text{ A}] \Omega$ 3-wire: $R_{min} = 10 \text{ k}\Omega$
Influence effects	supply: 0.05 % FSO / 10 V      load: 0.05 % FSO / k $\Omega$
Response time	2-wire: $\leq 10 \text{ msec}$ 3-wire: $\leq 3 \text{ msec}$
Long term stability	$\leq \pm 0.3 \%$ FSO / year at reference conditions
Measuring rate	1 kHz

<sup>1</sup> accuracy according to IEC 60770 – limit point adjustment (non-linearity, hysteresis, repeatability)

Thermal effects (Offset and Span) / Permissible temperatures			
Thermal error	$\leq \pm 0.3 \%$ FSO / 10 K	in compensated range	0 ... 70 °C
Permissible temperatures	medium: -40 ... 125 °C	electronics / environment:	-40 ... 85 °C      storage: -40 ... 85 °C

Electrical protection	
Short-circuit protection	permanent      3-wire ratiometric: none
Reverse polarity protection	no damage, but also no function
Electromagnetic protection	emission and immunity according to EN 61326

Mechanical stability	
Vibration	20 g, 25 Hz ... 2 kHz      according to DIN EN 60068-2-6
Shock	500 g / 1 msec      according to DIN EN 60068-2-27

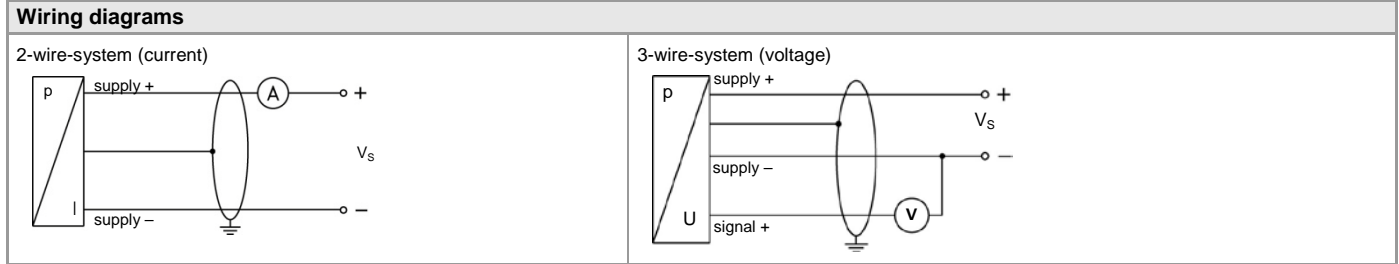
Please visit our website: [www.mctram.com](http://www.mctram.com)

# 17.609 G

OEM Pressure Transmitter

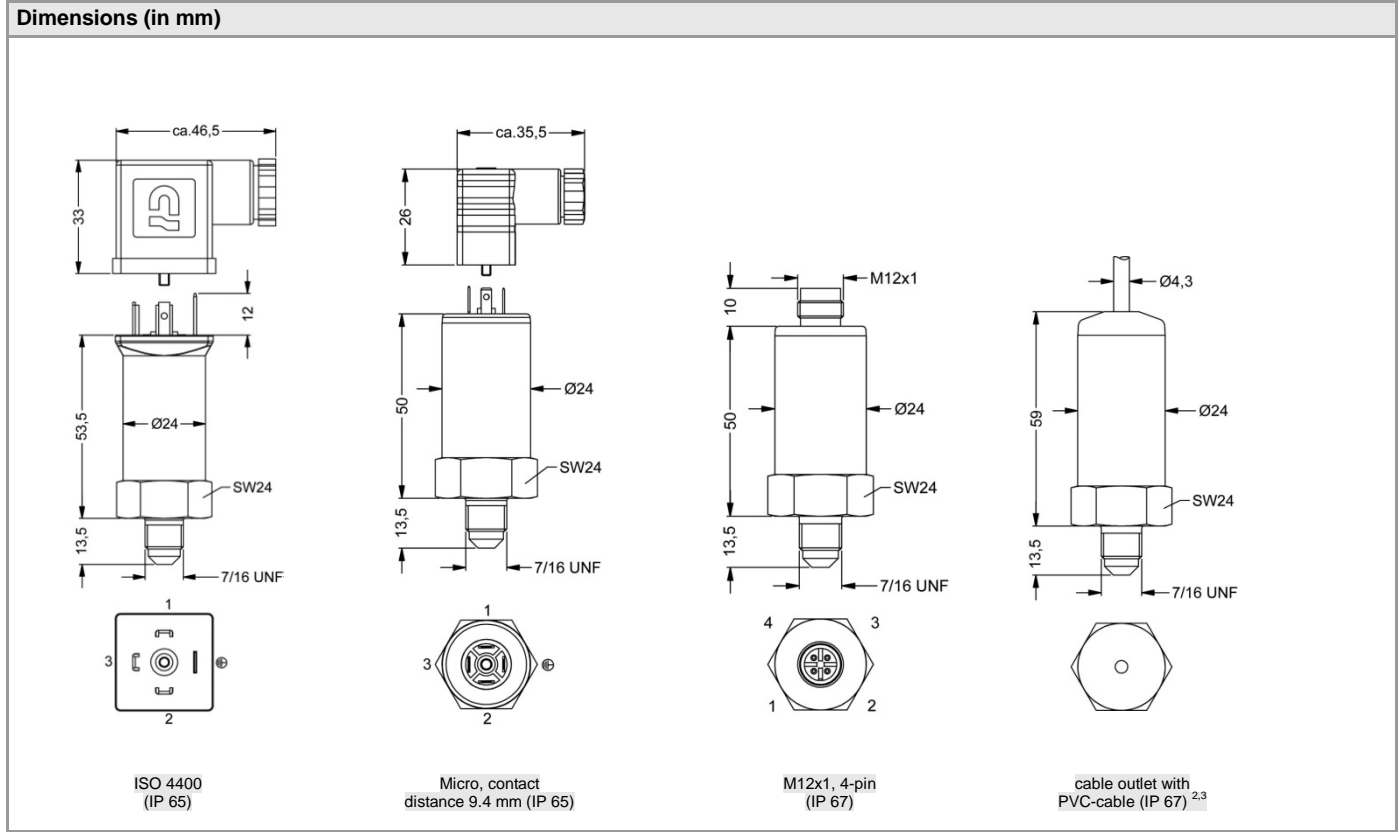
Technical Data

Materials	
Pressure port	stainless steel 1.4571 (316Ti)
Housing	stainless steel 1.4301 (304)
Seal of sensor	none (welded)
Diaphragm	stainless steel 1.4542 (630)
Media wetted parts	pressure port, diaphragm
Miscellaneous	
Mechanical connection	7/16"-20 UNF
Weight	approx. 120 g
Current consumption	2-wire: max. 25 mA      3-wire ratiometric: typ. 3 mA 3-wire voltage: max. 7 mA (short circuit current: max. 20 mA)
Operational life	> 100 x 10 <sup>6</sup> pressure cycles
CE-conformity	EMC Directive: 2004/108/EC



**Pin configuration**

Electrical connection	ISO 4400	Micro (contact distance 9.4 mm)	M12x1 (4-pin), plastic	cable colours (DIN 47100)
Supply +	1	1	1	wh (white)
Supply -	2	2	2	bn (brown)
Signal + (for 3-wire)	3	3	3	gn (green)
Shield	ground pin	ground pin	4	ye/gn (yellow / green)



<sup>2</sup> standard: 2 m PVC cable without ventilation tube (permissible temperature: -5 ... 70 °C)  
<sup>3</sup> different cable types and lengths available, permissible temperature depends on kind of cable

Please visit our website: [www.mctram.com](http://www.mctram.com)

2 West Main St, Victor NY 14564 Phone: 585-461-2110

## Ordering code 17.609 G

17.609 G -         -     -         -         -      

Input	[bar]													
	6	6	0	0	1									
	10	1	0	0	2									
	16	1	6	0	2									
	25	2	5	0	2									
	40	4	0	0	2									
	60	6	0	0	2									
	-1 ... 6	V	6	0	2									
	-1 ... 10	V	1	0	3									
	-1 ... 16	V	1	6	3									
	-1 ... 25	V	2	5	3									
	-1 ... 40	V	4	0	3									
	-1 ... 60	V	6	0	3									
	customer	9	9	9										consult
Pressure														
	gauge				R									
Output														
	4 ... 20 mA / 2-wire				1									
	0 ... 10 V / 3-wire				3									
	10 ... 90% of V <sub>S</sub> / 3-wire ratiometric				R									
Accuracy														
	0.5 % FSO				5									
	customer				9									consult
Electrical connection														
	Male and female plug ISO 4400				1	0	0							
	Male and female plug Micro				C	1	0							
	Male plug M12x1 (4-pin), plastic				M	0	0							
	Cable outlet with PVC-cable				T	A	0							
	customer				9	9	9							consult
Mechanical connection / Seal														
	7/16"-20 UNF				U	0	0	2						
	customer				9	9	9	9						consult
Special version														
	standard									0	0	0		
	customer									9	9	9		consult

<sup>1</sup> standard: 2 m PVC cable without ventilation tube (permissible temperatur: -5 ... 70 °C)

Please visit our website: [www.mctram.com](http://www.mctram.com)